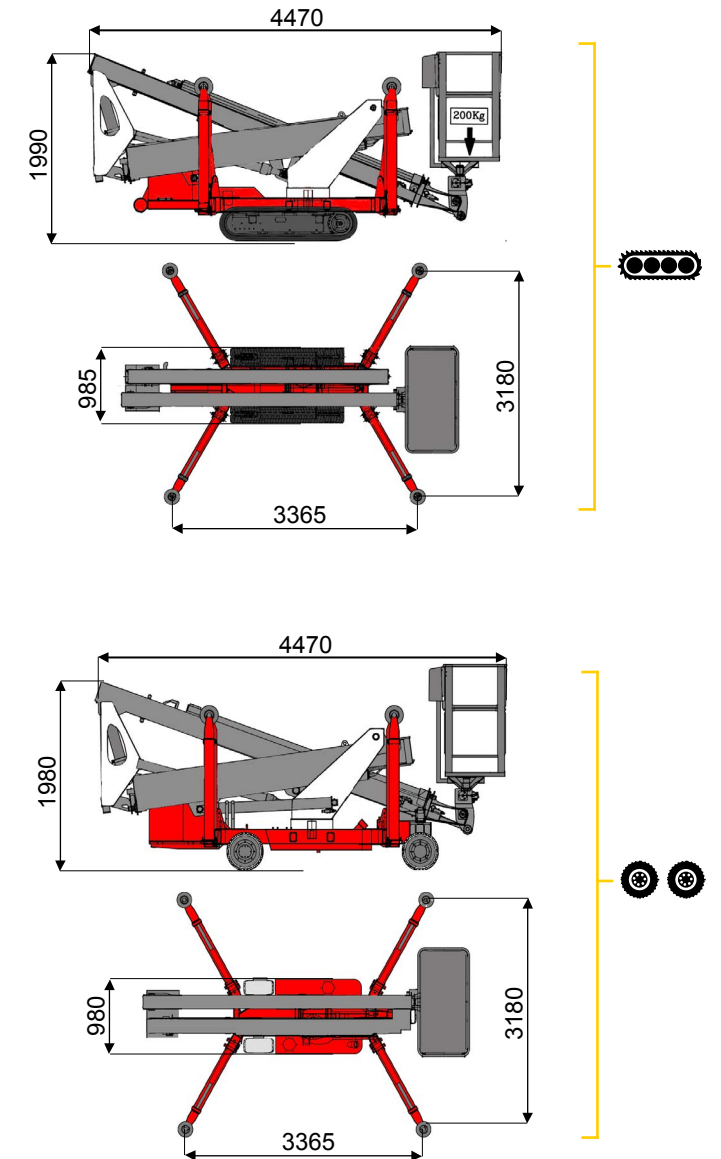
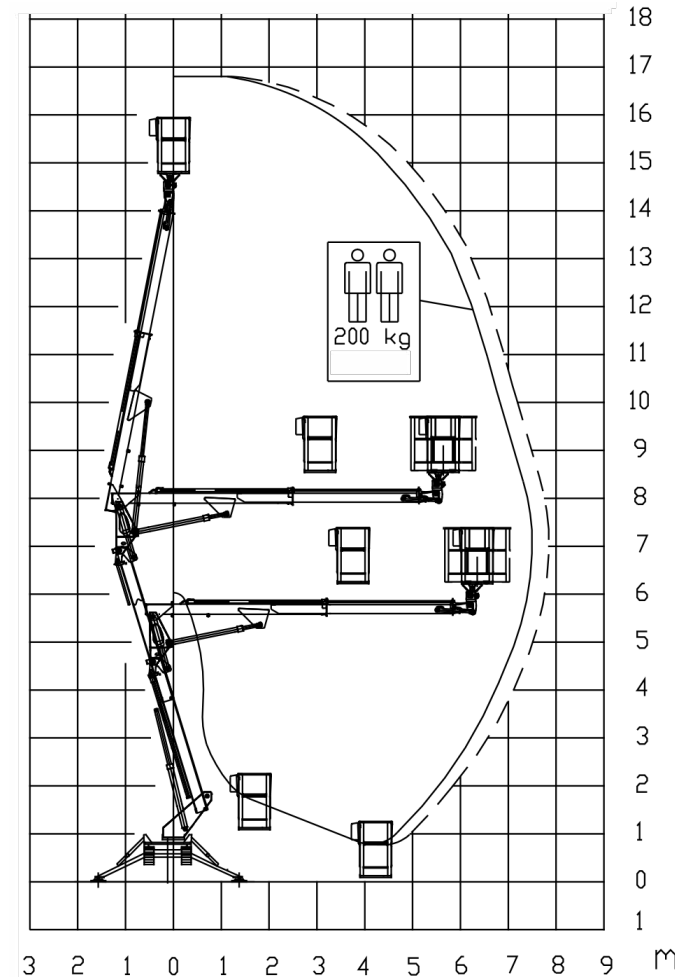




17 m ↑
7,8 m →
200 Kg 👤 👤



BI-ENERGY
Diesel+AC



TZX 170/C	🔋	17 m	7,8 m	200 kg	360°	140x70 cm	90°+90°	3,18 m	18%	31%	2 km/h	2000 kg	13 kN	1,87 kN/m ²	3,2 kN/m ²
TZX 170/R	🔋	17 m	7,8 m	200 kg	360°	140x70 cm	90°+90°	3,18 m	18%	25%	2 km/h	2000 kg	13 kN	1,87 kN/m ²	3,2 kN/m ²

Available version:

BI-ENERGY (DIESEL+AC)
ECO (DC+AC)

Characteristics and technical data are informative only and subjected to change without notice.



COMPANY WITH
QUALITY SYSTEM
CERTIFIED BY DNV GL
= ISO 9001 =

Palazzani Industrie S.p.A.
Via del Pavione, 4 - 25050 - Paderno F.C. (BS) - Italy
Tel. (+39) 0306857073
platforms@palazzani.it
www.palazzani.it