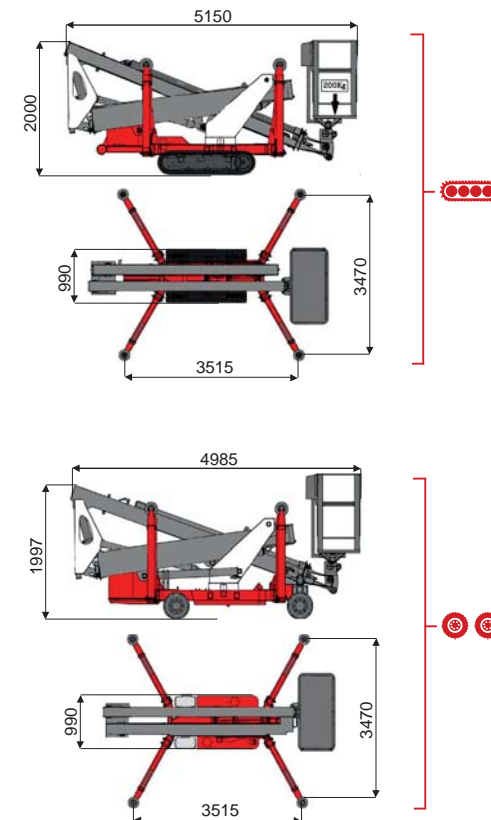
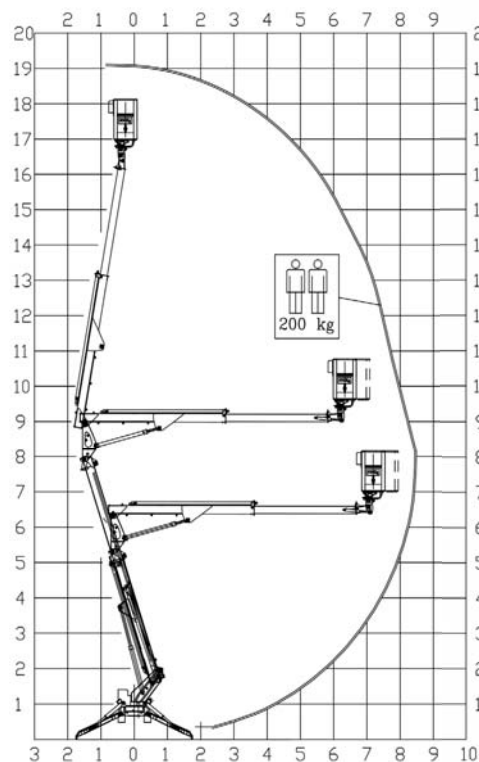




19 m ↑
8,5 m →
200 Kg 👤 👤



BI-ENERGY
Diesel+AC



TZX 190/C		19 m	8,5 m	200 kg	360°	140x70 cm	65°+65°	3,47 m	15%	20%	2 km/h	2300 kg	1600 daN	5,1 daN/cm ²	0,42 daN/cm ²	990 mm	5150 mm	2000 mm
TZX 190/R		19 m	8,5 m	200 kg	360°	140x70 cm	65°+65°	3,47 m	15%	20%	2 km/h	2300 kg	1600 daN	5,1 daN/cm ²	5,48 daN/cm ²	990 mm	4985 mm	1997 mm



Battery type

ECO DC+AC



Battery charge

24V 240 A/h 230V-24V 40A



Add. Weight

230 kg



Autonomy

3-4 h endless



Charging time

6h

Electropump

24V 5.5 kW